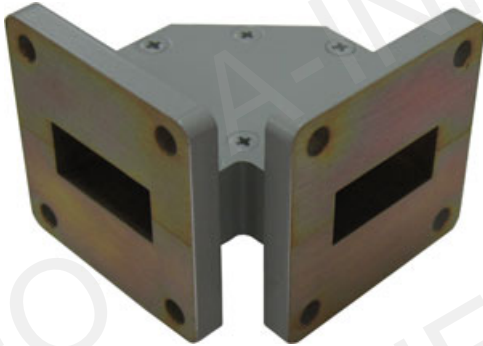
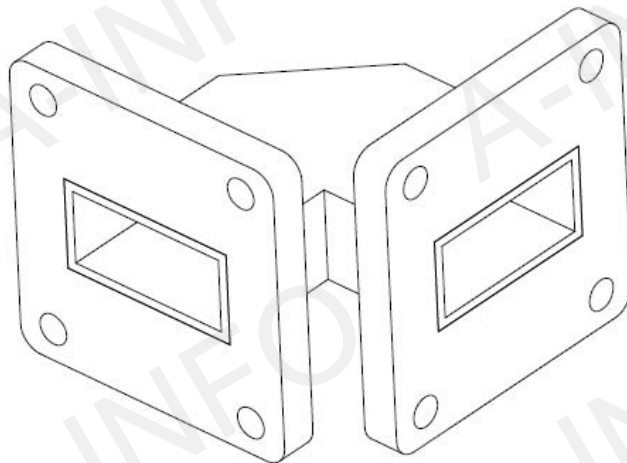
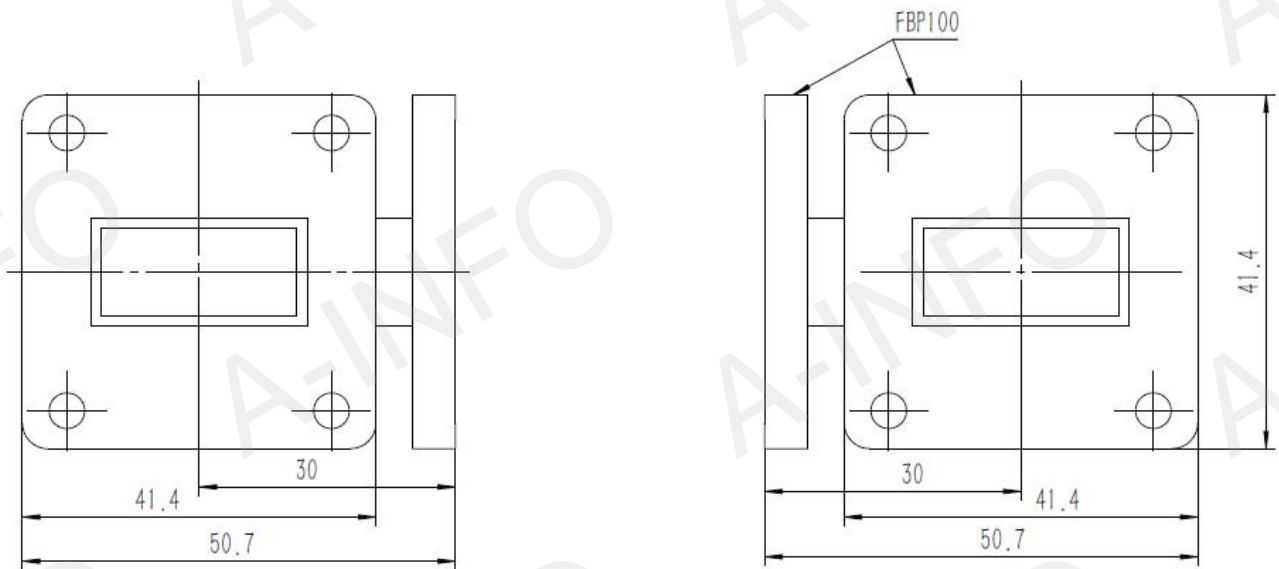


## Technical Specification

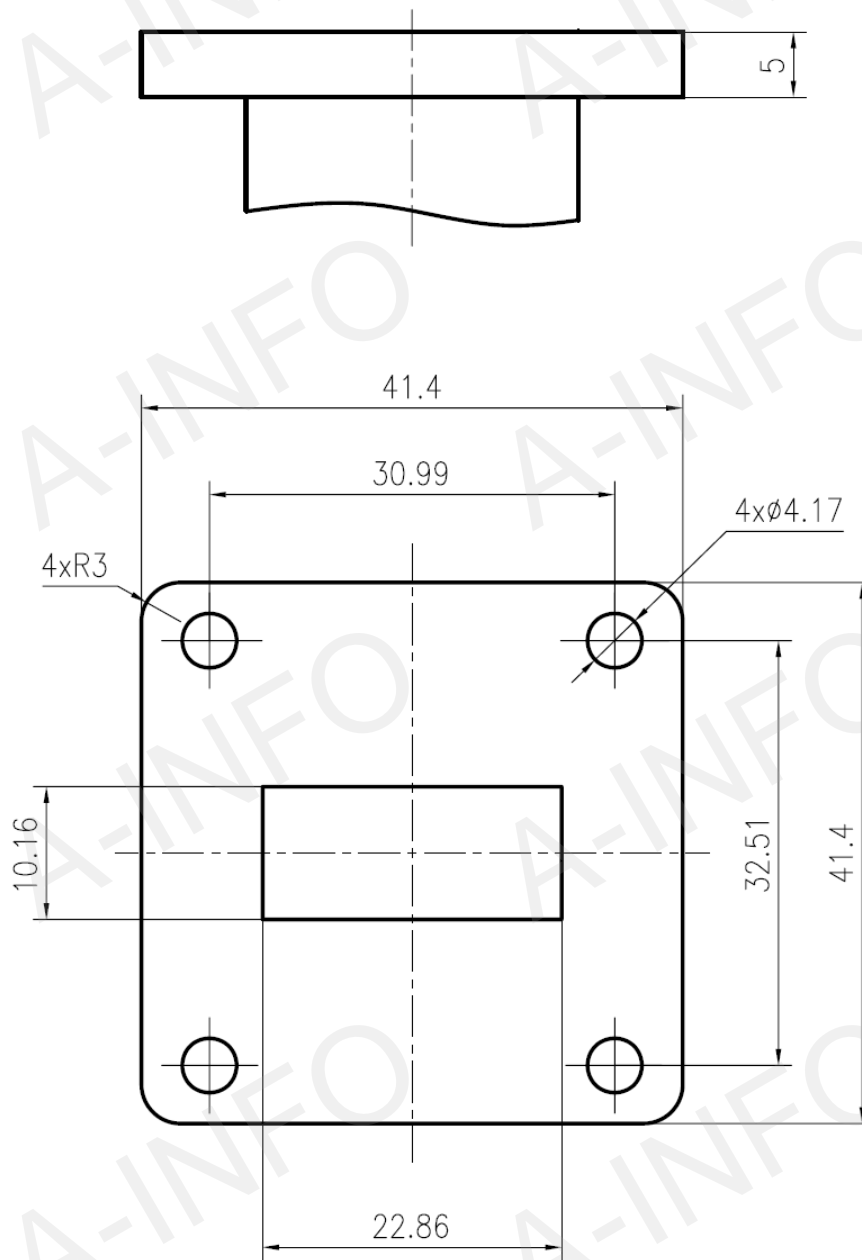


EIA WR	WR90
Frequency Range(GHz)	8.2 - 12.4
VSWR	1.30 max
Flange	FBP100
Material	Al
Size(mm)	50.7x50.7x41.4
Net Weight(Kg)	0.07 Around

## Outline Drawing (Size: mm)



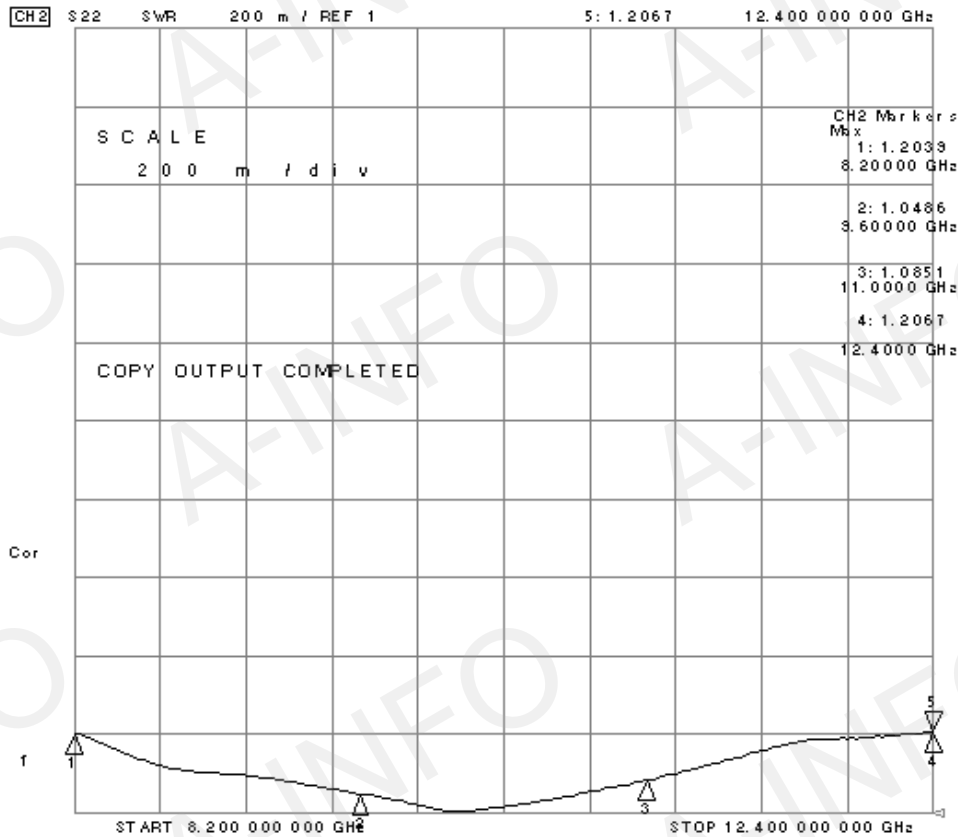
## Flange Drawing (Size: mm)



### FBP100

## Test Results

### VSWR



### Insertion Loss

